

# English version

- ◆ Please read this manual thoroughly before installation.
- ◆ Visit our website and view the Z-MACHINE GT1000 installation video first to ease the installation process.

## ■ Table of Contents

<b>1. Safety Notices</b> .....	<b>3</b>
<b>2. Components</b> .....	<b>4</b>
<b>3. Specifications</b> .....	<b>6</b>
<b>4. Front Panel Buttons and I/O Ports</b> .....	<b>7</b>
<b>5. Installation Guide</b> .....	<b>8</b>

## 1 Safety Notices

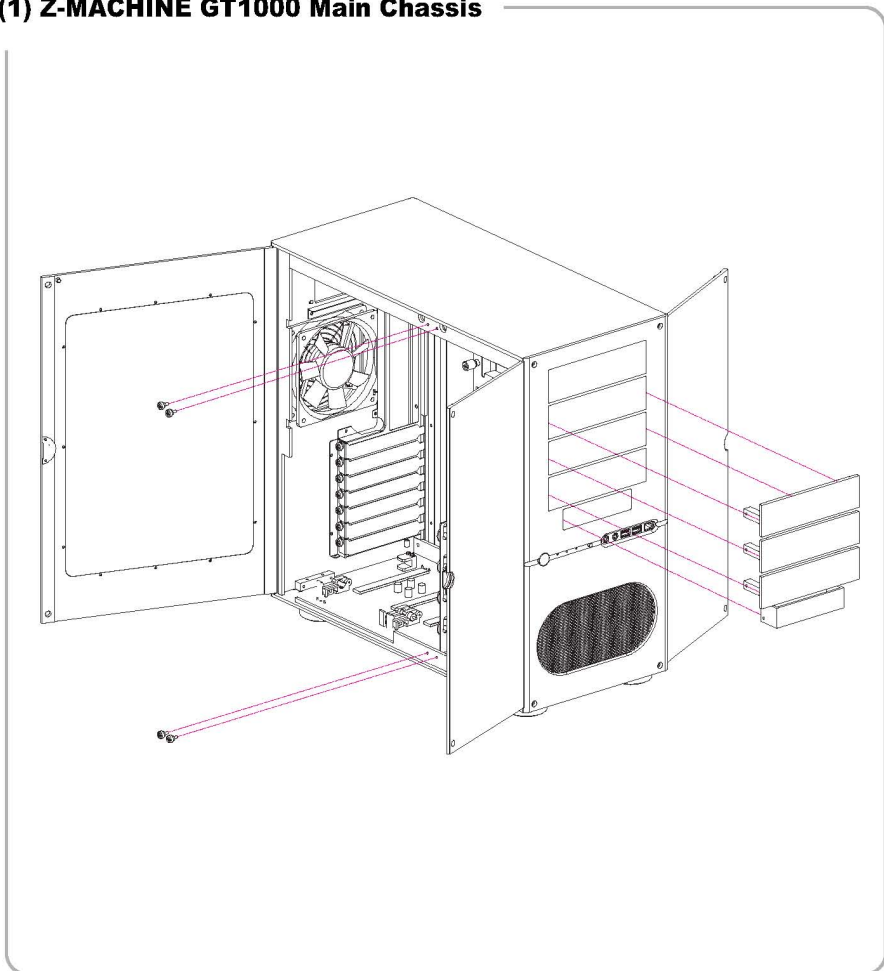
- (1) Check the condition of the product and its components before installation. If there is a problem with the product and/or its components, please contact the retailer for replacement.
- (2) Avoid inserting any objects into the system while the power is ON. It may be harmful for the user and product.
- (3) Check the manual when connecting cables. Incorrect connections can lead to fire resulting from short circuit.**
- (4) The vents on the front and rear panels must not be blocked.
- (5) Keep this unit away from heat sources and direct sunlight, as well as from water, oil, and humidity. Place the unit on a flat, leveled, solid, and well-ventilated area.
- (6) Do not clean the product surface with chemicals or wet cloth. (chemicals: industrial brightener, wax, benzene, alcohol, paint thinner, mosquito repellent, aromatics, lubricant, detergent etc.)

### ◆ Disclaimer


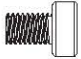

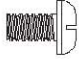

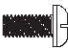
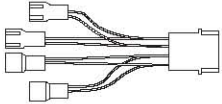
**Zalman Tech Co., Ltd. is not responsible for any damages due to external causes, including but not limited to, improper use, problems with electrical power, accident, neglect, alteration, repair, improper installation, and improper testing.**

## 2 Components

### (1) Z-MACHINE GT1000 Main Chassis



**(2) Parts**

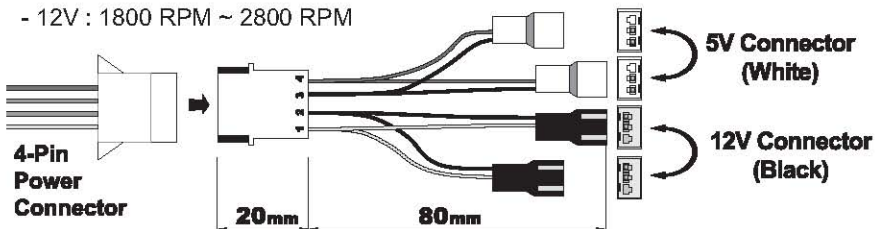
Diagram	Part Name	Specification	Qty	Function
	Allen Wrench	3mm (Silver)	1	For removing and reinstalling the Allen Bolts of the Right-F Plate during ODD installation
	Spare Allen Bolts	4 * 8 (Black)	2	Spare Allen Bolts for enclosure maintenance
	M/B Stand Off	φ 6*12*M3*3 (Silver)	2	For motherboard (microATX) installation
	PSU Screws	PHM #6-32*10 (Black)	6	For PSU installation (For use with GT1000 only)
	ODD, M/B Screws	PWHM 3*5 (Black)	22	For ODD & motherboard installation
	FDD Screws	PHM 3*8 (Black)	2	For FDD installation
	ZM-MC1 (Multi Connector)	White = 5V Black = 12V	1	For Fan RPM adjustment

**(3) ZM-MC1 (Multi Connector)**

[ Installation ]

- 1) ZM-MC1 is a dual voltage adaptor for adjusting the RPM of the front and rear panel fans. It is connected to the 4-Pin connector of the PSU as shown below.
- 2) Connect the enclosure fan to a connector with the voltage desired by the user. (120mm, 92mm FAN).

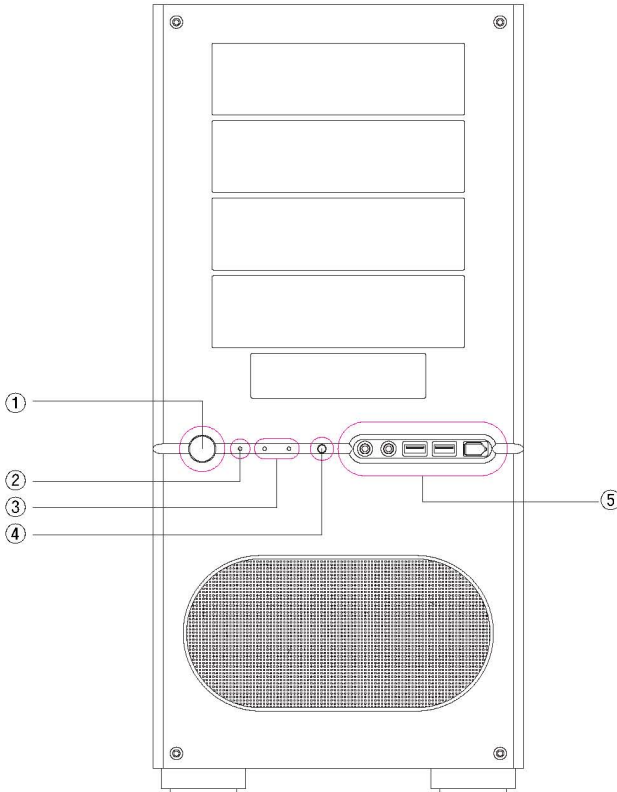
- 5V : 900 RPM ~ 1200 RPM
- 12V : 1800 RPM ~ 2800 RPM



### 3 Specifications

Enclosure Type	Tower
Enclosure Dimensions (D × W × H)	480mm X 220mm X 450mm (18.9" × 8.7" × 17.7")
Weight	12.5kg (27.5lb)
Material	Aluminum 4~5T
Motherboard Compatibility	Standard ATX / microATX
PSU Compatibility	Standard ATX / ATX12V
PCI/AGP Card Compatibility	Full Size
Drive Bays (Tool Free Kit provided)	3.5" Bay × 7 5.25" Bay × 4
Cooling Components	Front Intake Fans : 92mm LED Fan × 2 Rear Exhaust Fan : 120mm LED Fan × 1
Expansion Card Slots (Tool Free Bolts provided)	7 Slots
Front I/O Ports	USB Port × 2 IEEE1394(Firewire) Port × 1 Headphones × 1 MIC × 1
Color Options	Titanium / Black

## 4 Front Panel Buttons and I/O Ports

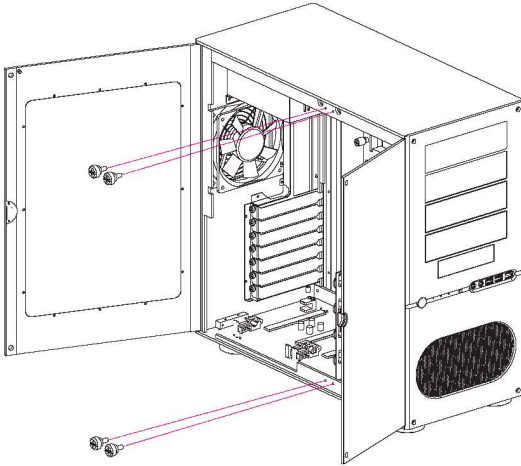


- ① System Power Button
- ② System Power LED
- ③ System HDD Power LEDs (1~2)
- ④ System Reset Button
- ⑤ Audio (Headphones, MIC), USB 2.0, IEEE1394 Port

## 5 Installation Guide

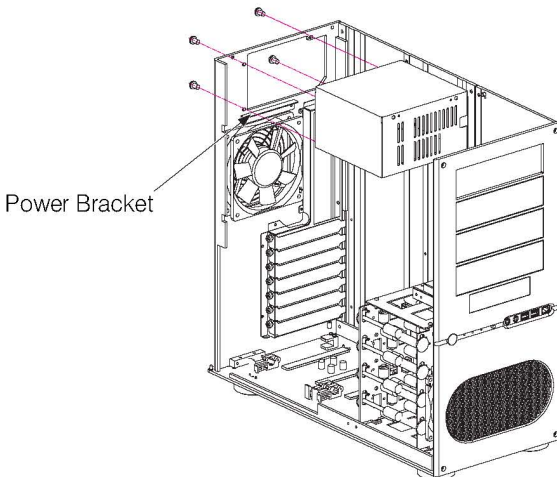
### (1) Enclosure Disassembly

Unscrew the four Bolts (Bolt, FH M3x6) as shown in the diagram to open the Doors.



### (2) Power Supply Installation

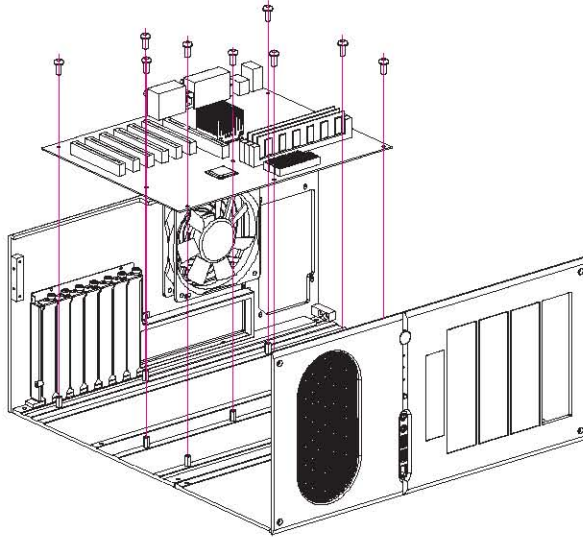
Place the PSU on the Power Bracket, and screw the four Bolts (Bolt, PHM #6-32\*10 (Black)) from outside the enclosure.





### (3) Motherboard Installation

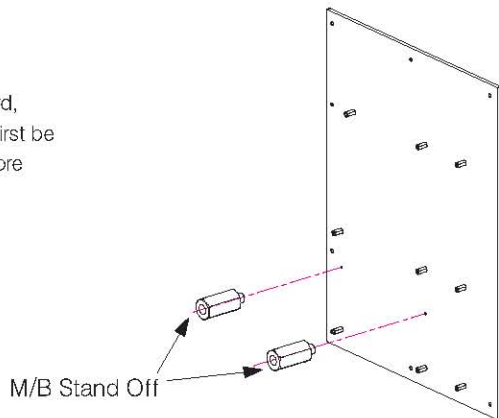
Install the motherboard onto the enclosure. Now install the computer components (CPU, VGA, RAM, etc.) onto the motherboard.



#### 참고)

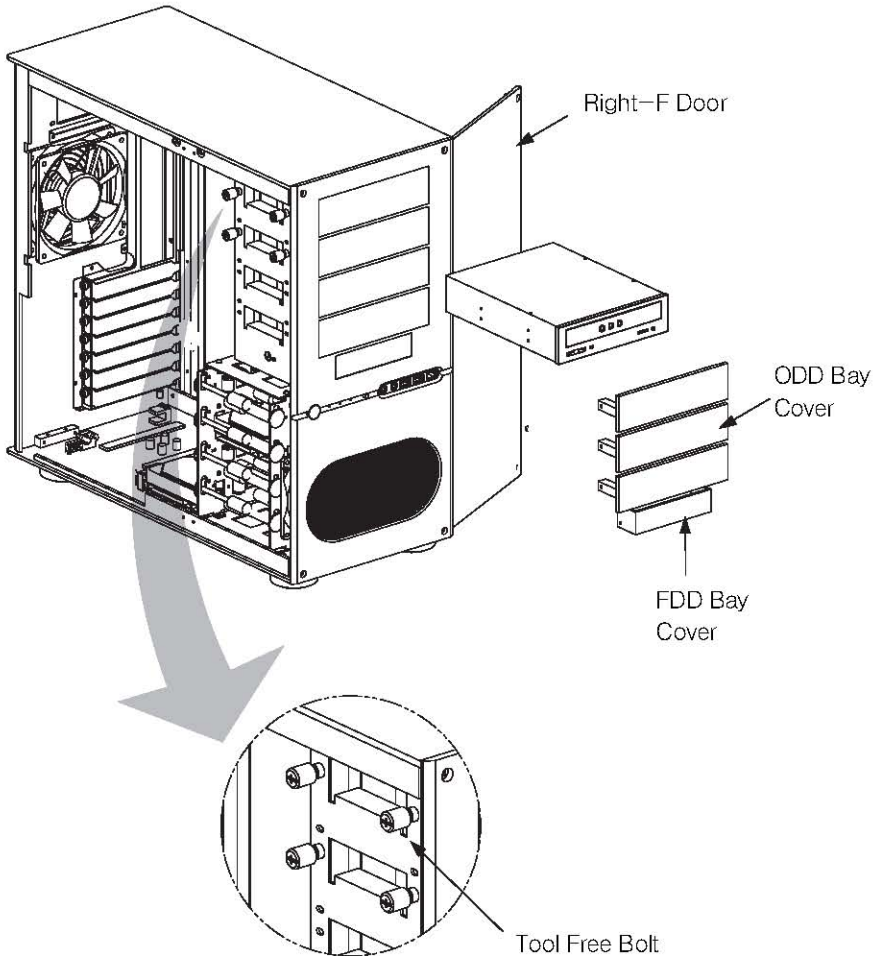
To install a microATX motherboard, first install the 2 enclosed microATX Stand Offs to align the height with the ATX Stand Offs.

To install a microATX motherboard, additional M/B Stand Offs must first be installed onto the Right Plate before installing the motherboard.



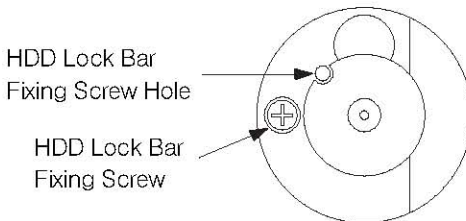
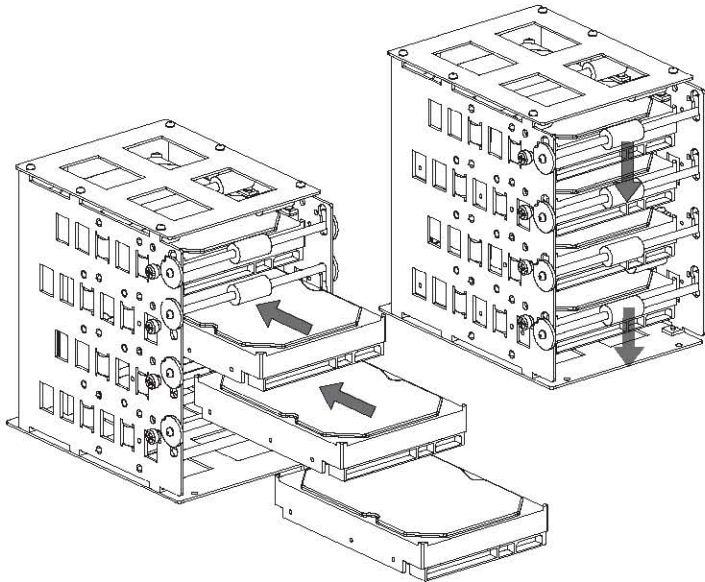
**(4) 5.25" & 3.5" Drive Installation**

- 1) Remove the Bay Covers of the 5.25" (ODD) and 3.5" (FDD) bays.
- 2) Insert the ODD into a bay, and fix it in place with the Tool Free Bolts.
  - ODD Slots No. 3 & 4 and the FDD Slot are designed for using the Fixing Bolts (Bolt, M3x5).



## (5) Hard Disk Drive Installation

### 1) Basic Installation

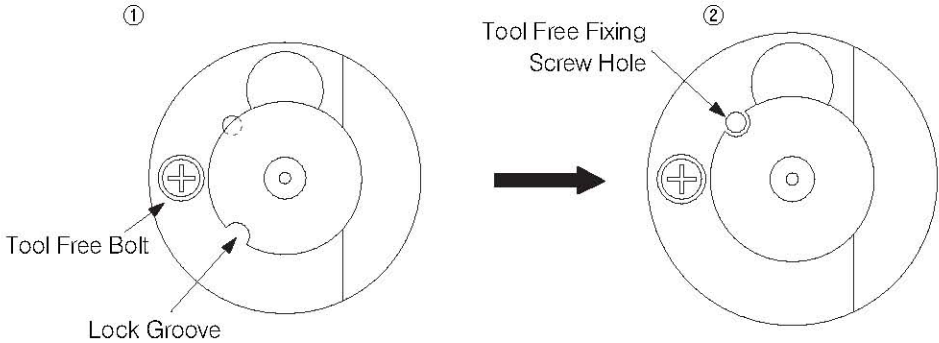


- ① Open (raise) the HDD Lock Bar of the HDD Chassis' Bay where the HDD will be installed.
- ② Slide in the HDD into the Bay and close (lower) the HDD Lock Bar behind the HDD.
- ③ To remove the HDD, open (roll up) the HDD Lock Bar above the HDD.

**Note) Excessive pressure may damage the HDD Lock Bars. Please take cautionary measures during HDD installation and removal.**

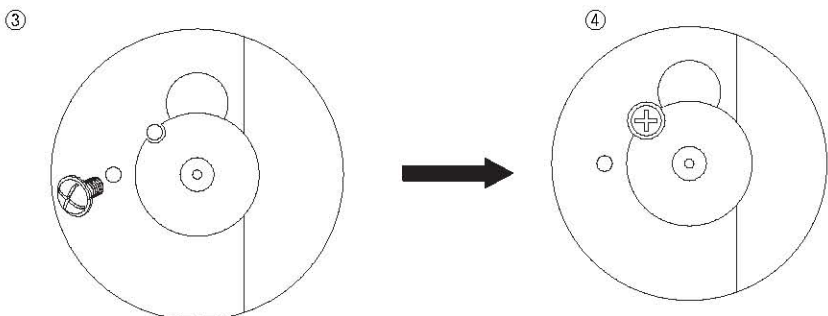
## 2) Locking Installation

**Note)** For moving the assembled enclosure, please fix the HDD Locking Device into place as shown on the diagrams.



Align the Lock Groove of the HDD Lock Bar with the Tool Free Fixing Screw Hole.

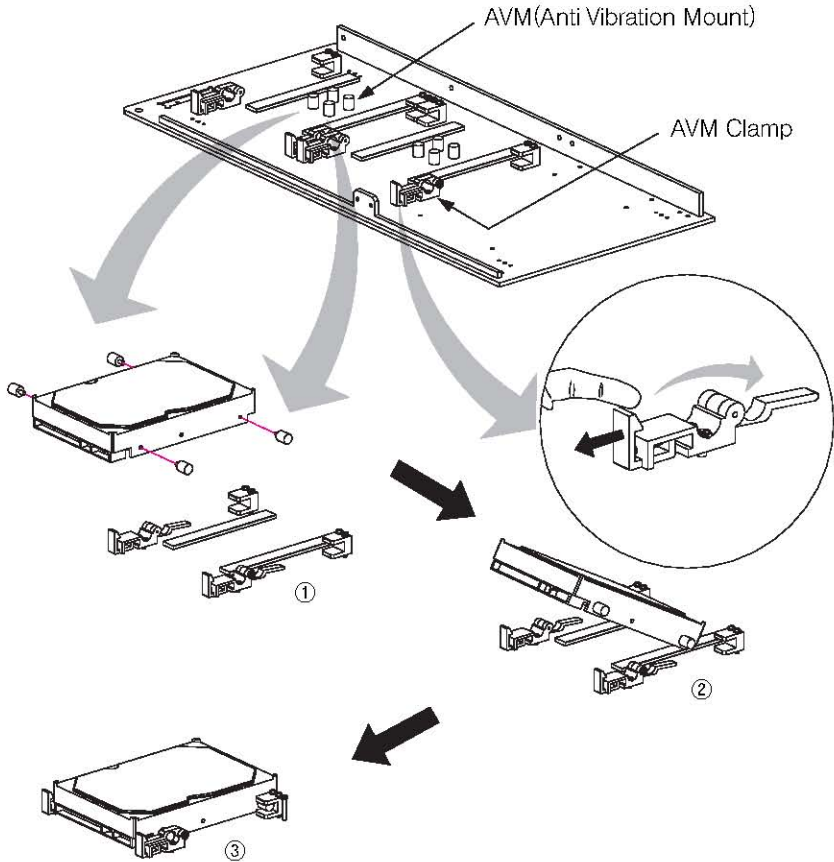
※ Pressing the HDD slightly into the HDD Chassis with one hand, while rotating the HDD Lock Bar with the other, allows easy alignment of the Lock Groove and Tool Free Fixing Screw Hole.



Unscrew the HDD Lock Bar's Tool Free Fixing Screw from the HDD Chassis.

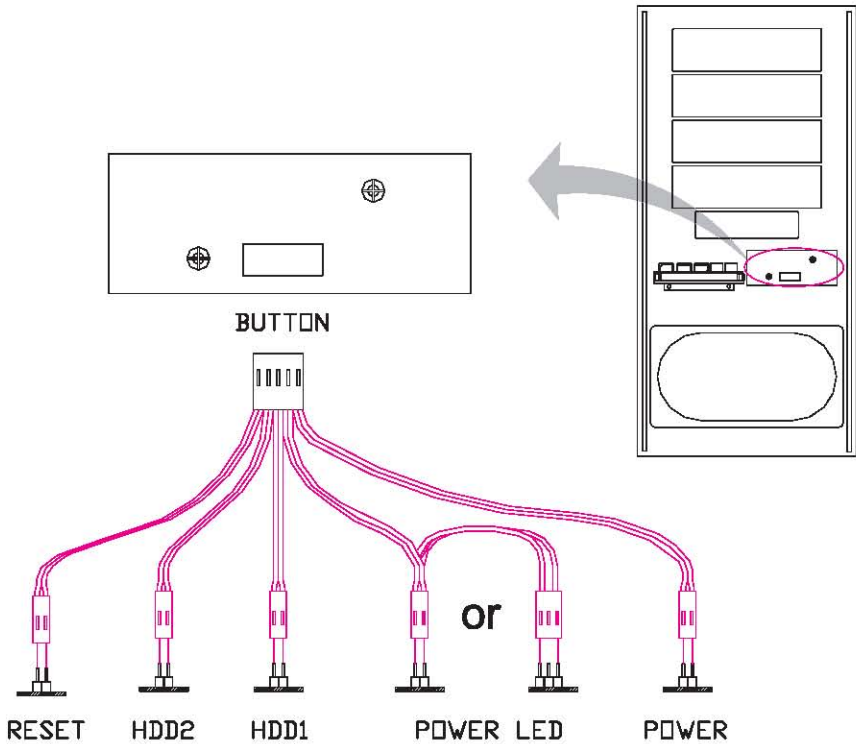
Screw the Tool Free Fixing Screw into the Fixing Screw Hole to lock the HDD Lock Bar into place.

### 3) HDD Installation & Removal on the Bottom Panel



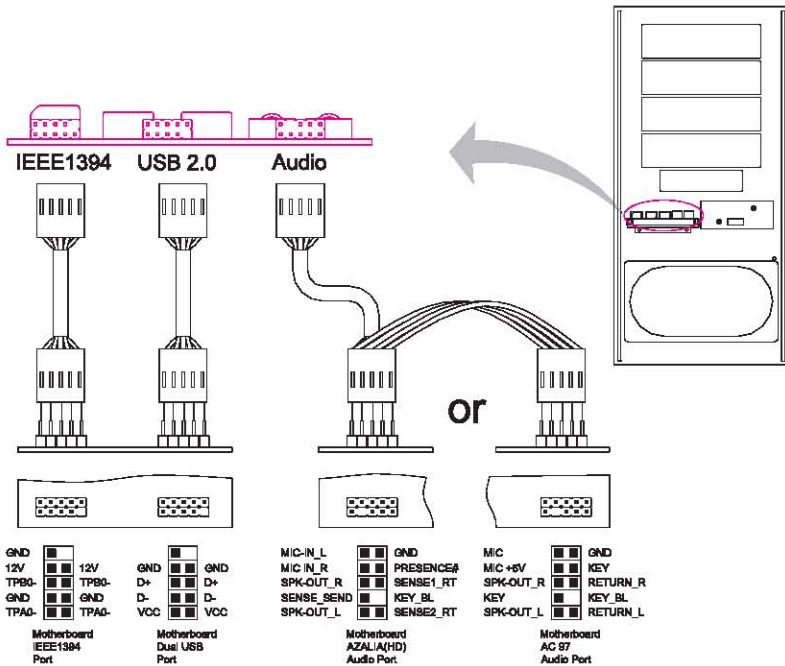
- ① Remove the AVM(Anti Vibration Mount) installed on the Bottom Panel of the enclosure and install them on the left/right sides of the HDD.
- ② Check for an available slot on the Bottom Panel, open the AVM Clamps, and insert the HDD by gently pushing it.
- ③ Once the HDD is completely lodged in place, close the lever to lock the HDD in place.

**Note)** Excessive pressure may damage the HDD Lock Bars. Please take cautionary measures during HDD installation and removal.

**(6) Cable Connection****1) Button PCB Connection**

※ Improper connection of the Power LED and HDD LED can lead to LED malfunction. Please refer to the motherboard manual before making cable connections.

2) Front I/O Connections



Note)

※ Precautions for Cable Connections

- ▶ Please refer to the motherboard manual for connecting the USB 2.0, IEEE1394a, and audio connectors.
- ▶ Do not connect the USB2.0 connector to the IEEE1394a connector. It will cause serious damage to the product.
- ▶ Do not connect the IEEE1394a connector to the USB2.0 connector. It will cause serious damage to the product.
- ▶ Certain motherboards may have a different configuration for the IEEE1394a, USB2.0, and audio connectors from the one shown in the diagram above. Please refer to the motherboard manual.